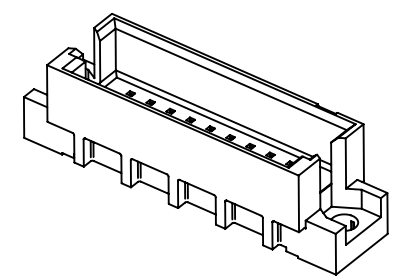
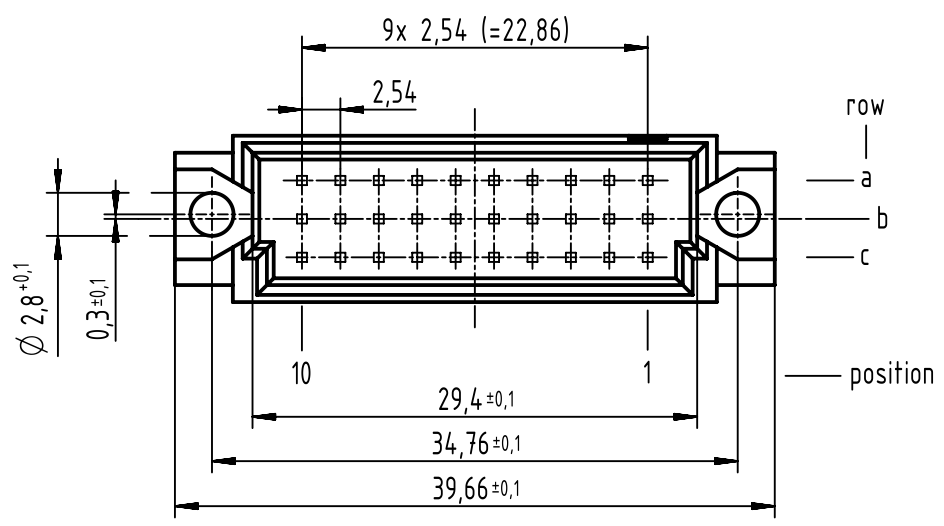
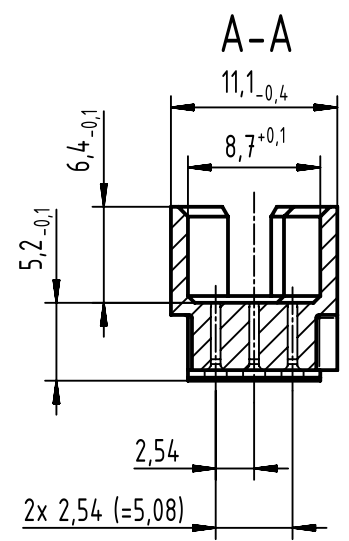
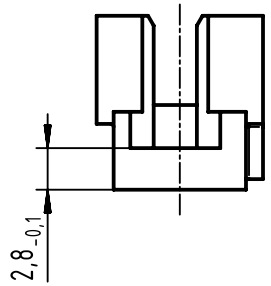
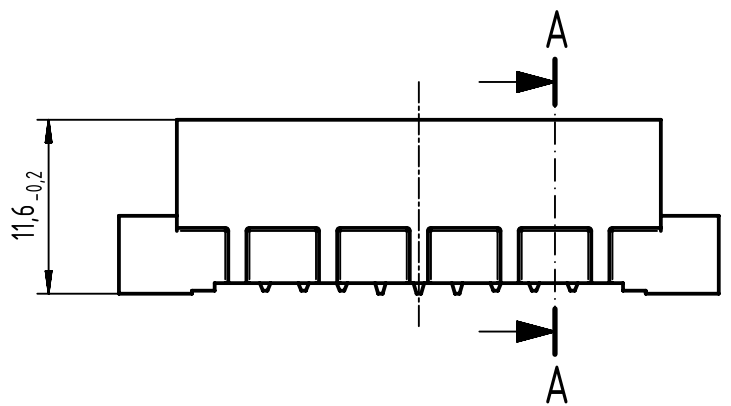


A

B

C

D



|   |  |  |  |   |                           |  |                        |
|---|--|--|--|---|---------------------------|--|------------------------|
|   | All Dimensions in mm<br>Original Size DIN A4 |  | Scale<br>2:1                               | Free size tol.<br>complementary IEC 60603-2 |                           | Ref.   |                        |
|   | All rights reserved<br>Department EC PD - DE |  | Created by<br>STORCK                       | Inspected by<br>ZWAHR                       | Standardisation<br>KOHLER | Date<br>2016-08-17                                       | State<br>Final Release |
| HARTING Electronics GmbH<br>D-32339 Espelkamp |  |  | Title<br>DIN Signal type 3R male connector |   |                           | Doc-Key / ECM-Nr.<br>100224055/UGD/006/A<br>500000107761 |                        |
|   |  |  | Type<br>TB                                 | Number<br>09291303101                       |                           | Rev.<br>A  | Page<br>1/1            |